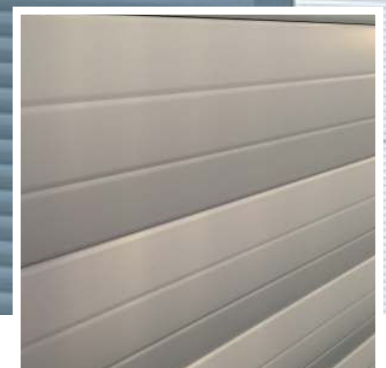




The T77 security shutter provides security, insulation and sound proofing to domestic & commercial applications up to 5.5m wide and 16m². 'Secured by Design' as standard, the T77 has been tested and approved to Certisecure STS202 BR1.

Note: the T77 can be upgraded to a remote controlled garage door and / or to insurance-approved, LPCB certified and 'Secured by Design' status (see Classic Garage Door or T77 Elite Datasheets).



APPLICATIONS

Medium security domestic & commercial sites, up to 16m². The T77 can be upgraded to a 'Secured by Design' status - LPS 1175 SR1 (see T77 Elite). A wide range of colours are available, including wood grain finishes to match standard window and door frames.

CURTAIN SLAT

Double-skinned polyester powder-coated aluminium slat with polyurethane foam insulating core.

Finish: White, grey, silver, ivory, cream white, beige, graphite, anthracite, velvet brown, brown, black, chartwell green, moss green, fir green, duck egg blue, blue, red, painted irish oak, painted golden oak, painted rosewood, painted walnut. 15% surcharge for laminated irish oak, golden oak, rosewood & mahogany. Other laminated finishes are POA.

Visible Face: 77mm
 Weight per m²: 5kg
 Maximum Width: 5500mm
 Maximum Area: 16m²
 Slat U-Value: 1.5W/m²K

ENCLOSURE

Roll-formed aluminium box with pressure-moulded aluminium alloy end plates.

Finish: White or Brown as standard. Option to powder coat any RAL / BS colour (surcharge applies).

Guide Height (mm)

1750
 2650
 4640

Plate Size (mm)

250
 300
 360

Plate sizes shown as a guide only and may vary.

BOTTOM SLAT

Extruded aluminium bottom slat with rubber weather seal.

GUIDE CHANNELS

Extruded aluminium guide channels with brush inserts. Width of 70mm, 90mm or 150mm.

Finish: White or Brown as standard. Option to powder coat any RAL / BS colour (surcharge applies).

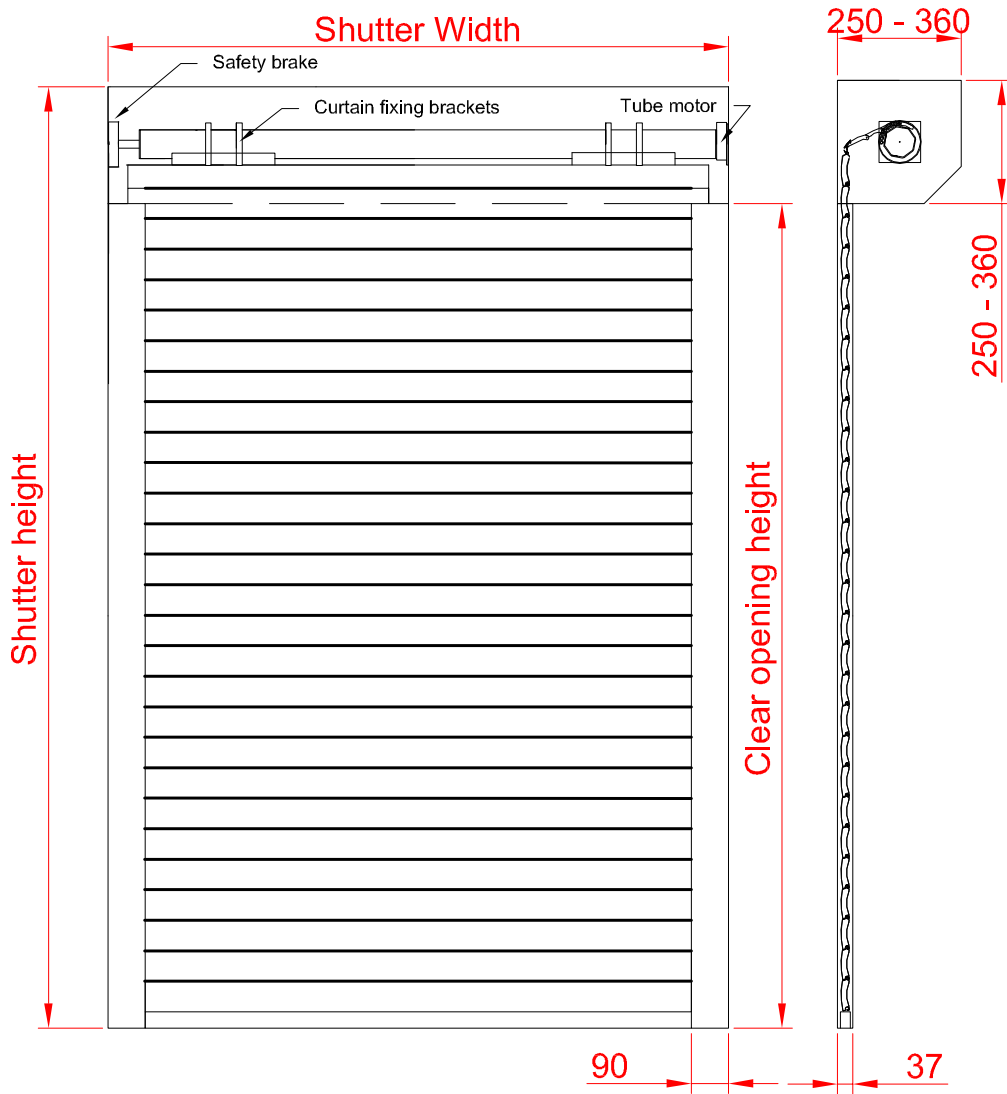
OPERATION

Electric: Somfy tubular motor as standard. Safety brake as appropriate to comply with legislation. Manual override facility & crank handle as required (surcharge applies).

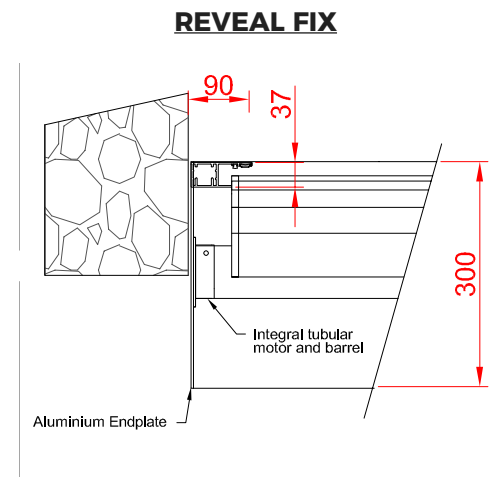
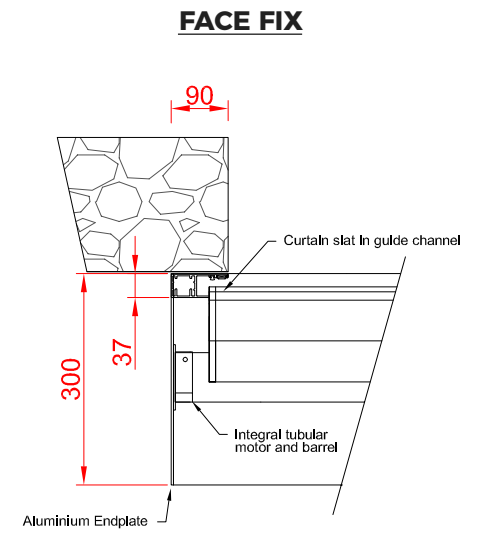
All motors have numerous control option variants such as rocker switch, key switch, remote and group or mobile phone activation.

Manual: Manual operation is available but not common as the shutter tends to be used to cover large openings.

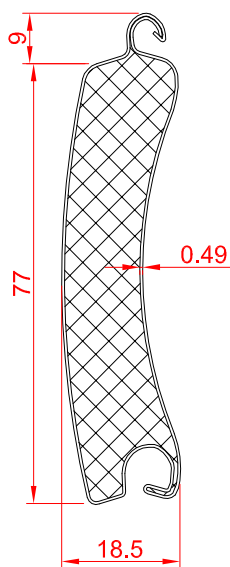
FRONT FACE



FIXING DETAIL



SLAT PROFILE



GUIDE CHANNELS

