

M411

INSULATED ALUMINIUM SECURITY SHUTTER :: TECHNICAL DATASHEET

ROCHÉ



The M411 provides security, insulation and sound proofing to domestic applications up to 3.4m wide or 8m². The compact insulated aluminium profile enables the shutter to roll very tightly into a box which is typically between 150mm and 205mm high.

Each 42mm slat is made from double skinned aluminium with a polyurethane insulated core.



APPLICATIONS

Domestic and commercial sites requiring insulation and sound proofing. Suitable for internal or external face or reveal fit.

CURTAIN SLAT

Double-skinned polyester powder-coated aluminium slat with polyurethane foam insulating core.

Finish: White, Anthracite & Black as standard in vented and unvented. Brown, Grey, Beige, Purple red, Silver, Golden Oak, Fir Green, Yellow, Cream, Dark Brown, Light Ivory, Dark Beige, Moss Green, Dark Blue, Irish Oak, Black Cherry, Nut available on request. Price on application.

Visible Face: 42mm
Weight per m²: 3kg
Maximum Width: 3400mm
Maximum Area: 8m²
Slat U-Value: 3.7W/m²K

ENCLOSURE

Roll-formed aluminium box with pressure-moulded aluminium alloy end plates.

Finish: White or Brown as standard. Option to powder coat any RAL / BS colour (surcharge applies).

| Guide Height (mm) | Plate Size (mm) |
|-------------------|-----------------|
| 1050 | 150 |
| 1435 | 165 |
| 1720 | 180 |
| 2295 | 205 |
| 3350 | 250 |

Plate sizes shown as a guide only and may vary

M411
Non-Vented

M411
Vented

BOTTOM SLAT

Extruded aluminium bottom slat with rubber weather seal.

GUIDE CHANNELS

Extruded aluminium guide channels with brush inserts. Width of 53mm, 66mm.

Finish: White or Brown as standard. Option to powder coat any RAL / BS colour (surcharge applies).

OPERATION

Electric: Somfy tubular motor as standard. Safety brake as appropriate to comply with legislation.

Manual override facility & crank handle as required (surcharge applies).

All motors have numerous control option variants. Rocker switch as standard with options for key switch, remote, group or mobile phone activation.

Manual Cord Belt: A swivel winder coils the belt within a compact box.

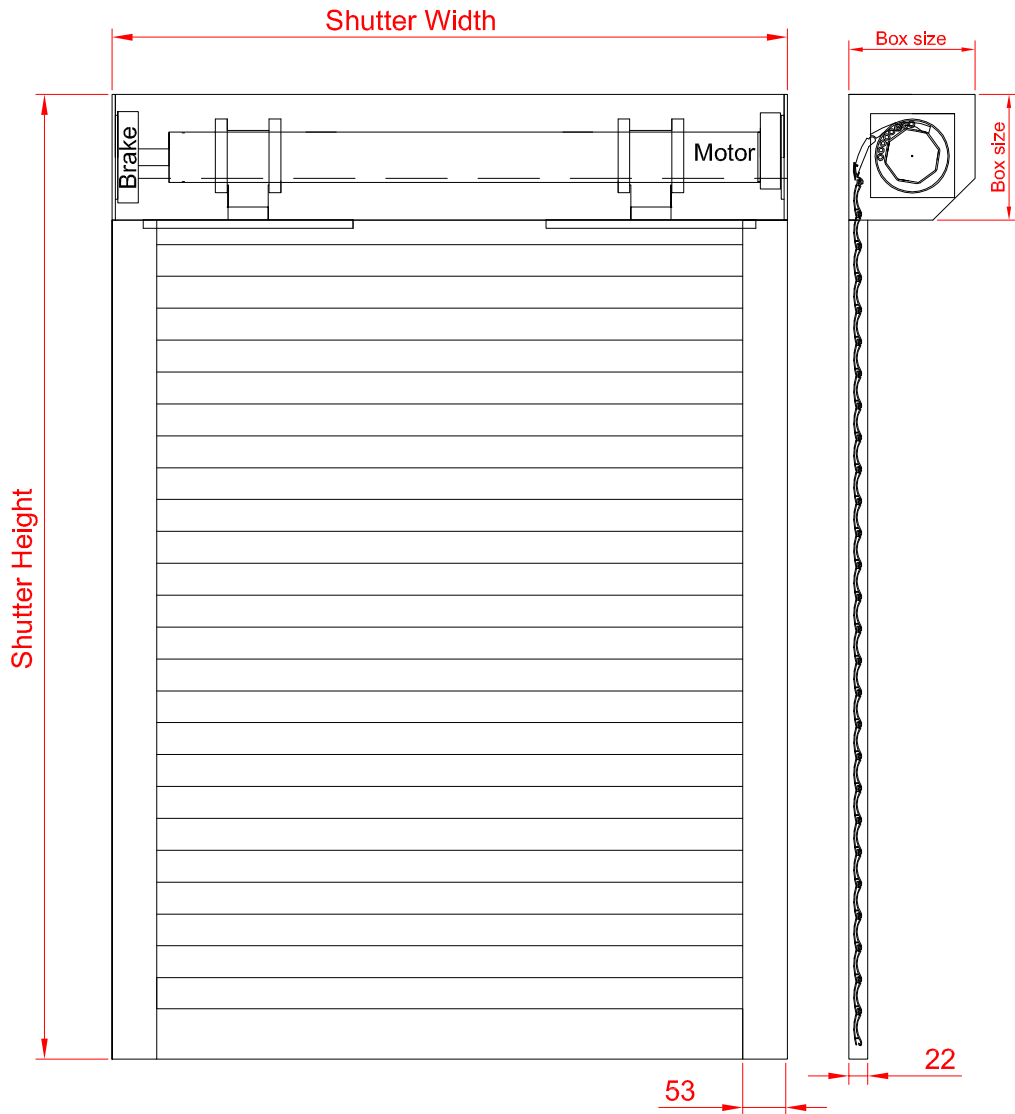
Manual Spring & Lock: A counter-balanced spring assembly with a key-lock bottom slat & handles.

M411

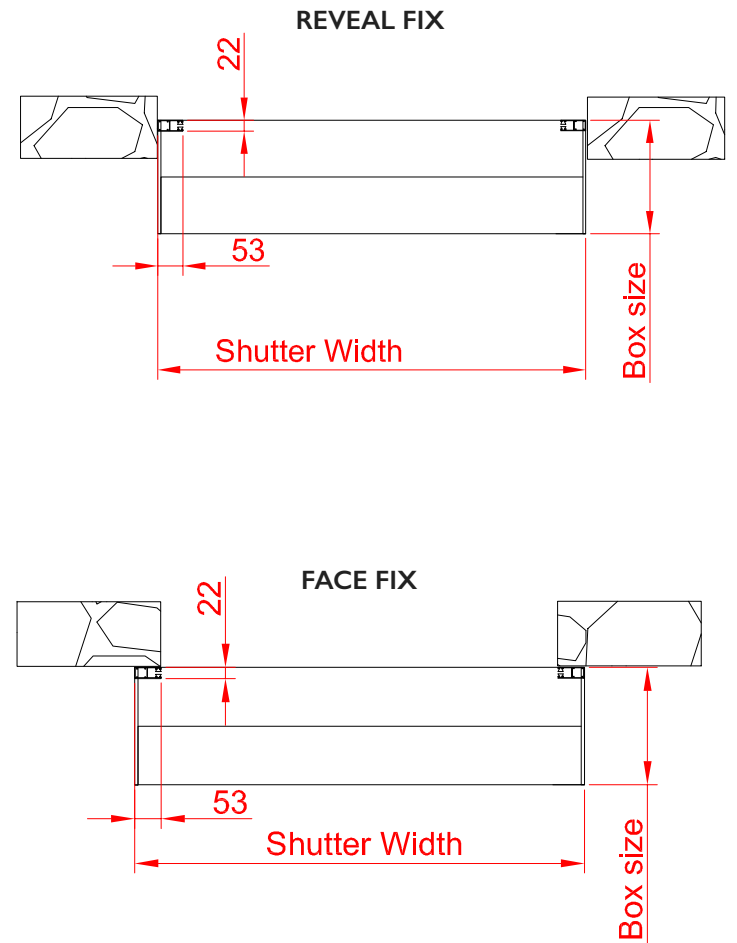
INSULATED ALUMINIUM SECURITY SHUTTER :: TECHNICAL DATASHEET



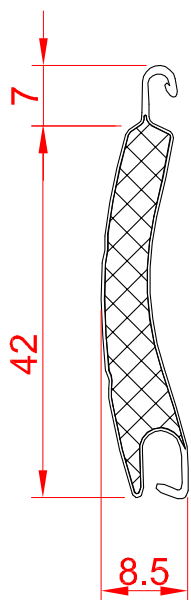
FRONT FACE



FIXING DETAIL



SLAT PROFILE



GUIDE CHANNELS

