

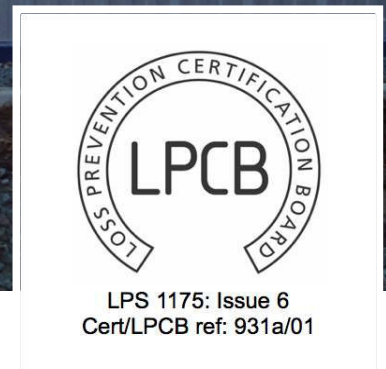
E37 ELITE

LPCB CERTIFIED ALUMINIUM SECURITY SHUTTER :: TECHNICAL DATASHEET

ROCHÉ



The “Secured By Design” E37 Elite security shutter has been tested and approved by the LPCB (Loss Prevention Certification Board) to an insurance approved SR1 / A1 security level (LPS 1175: Issue 6). The E37 Elite provides a medium security solution for domestic and commercial applications



APPLICATIONS

High security domestic and commercial sites. The E37 Elite is insurance approved, and included in the Secured by Design scheme.

Tested according to Loss Prevention Certification Board's LPS1175:issue 6 standard, with a Security Rating (SR) of 1, the E37 Elite has been designed for external and internal window apertures and can be fitted to openings with a maximum structural opening width of 3m (9m² area overall).

Since the stability of the shutter contributes to the security rating, the shutter must only be fixed to approved substrates. It may be fitted internally or externally to: brick, block, aluminium box section, or steel box section.

CURTAIN SLAT

Double-skinned extruded aluminium slat.

Finish: White, Anthracite or Black as standard. Option to powder coat any RAL / BS colour (surcharge applies).

Visible Face: 37.5mm
Weight per m²: 8kg
Maximum Width: 3000mm
Maximum Area: 8.5m²

ENCLOSURE

Roll-formed aluminium enclosure with pressure-moulded aluminium end plates. The Elite shutter has an extruded aluminium box when fitted externally.

Finish: White or Brown as standard. Option to powder coat any RAL / BS colour (surcharge applies).

Guide Height (mm)

1050
1535
1820
2695
3550
4000

Plate Size (mm)

150
165
180
205
250
300

Plate sizes shown as a guide only and may vary.

BOTTOM SLAT

Extruded aluminium bottom slat with rubber weather seal.

GUIDE CHANNELS

Extruded aluminium guide channels with brush inserts. Depth of 60HD. Self-packing and circular surface guides available on request.

Finish: White or Brown as standard. Option to powder coat any RAL / BS colour (surcharge applies).

OPERATION

Electric: Somfy tubular motor as standard. Safety brake as appropriate to comply with legislation.

Manual override facility & crank handle as required (surcharge applies).

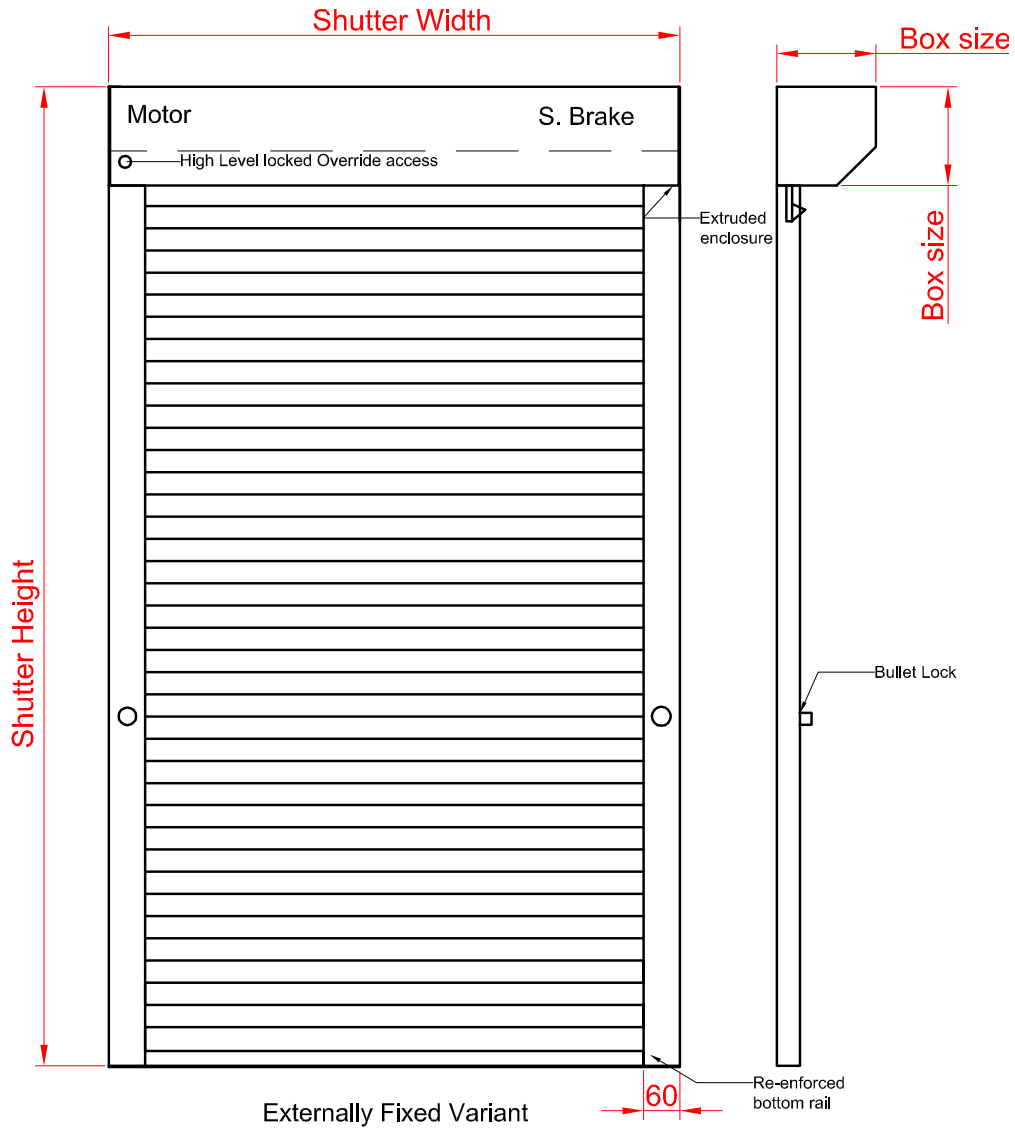
All motors have numerous control option variants such as rocker switch, key switch, remote and group or mobile phone activation.

E37 ELITE

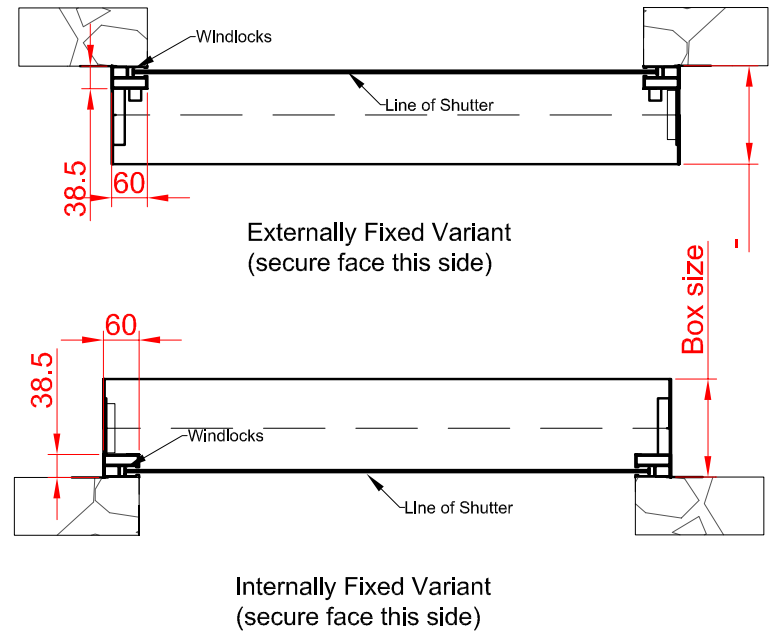
LPCB CERTIFIED ALUMINIUM SECURITY SHUTTER :: TECHNICAL DATASHEET



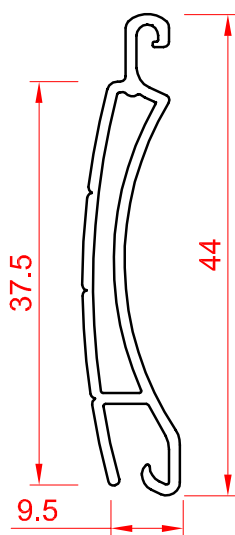
FRONT FACE



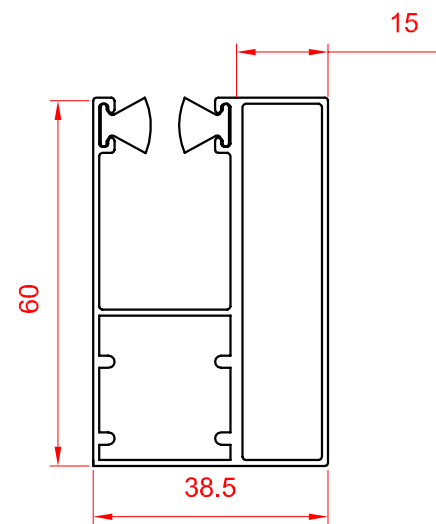
FIXING DETAIL



SLAT PROFILE



GUIDE CHANNELS



HD60 Guide
Approved fixings and installation instructions provided with the shutter for fixing to brick, block, aluminium and steel.