



A perforated aluminium shutter offering 22% see-through vision without compromising security levels. Suitable for openings up to 25m², with electric operation as standard. This makes the P77 a common solution for commercial sites and shop fronts. Solid profile slats (E77) can be incorporated as required - see Datasheet 10 for more information.



APPLICATIONS

Commercial sites & shop front applications up to 25m². The P77 perforated vision profile shutter affords 22% see-through vision with the solid security and aesthetic impact of standard aluminium shutters. Suitable for internal or external face or reveal fit. Solid profiles can be incorporated as required - see E77 (Datasheet 10).

CURTAIN SLAT

Double-skinned extruded aluminium with perforations.

Finish: White or Brown as standard. Option to powder coat any RAL / BS colour (surcharge applies).

Visible Face:	77mm
Weight per m ² :	8.8kg
Maximum Width:	6500mm
Maximum Area:	25m ²

ENCLOSURE

Manufactured from roll-formed aluminium with pressure-moulded aluminium alloy end plates.

Finish: White or Brown as standard. Option to powder coat any RAL / BS colour (surcharge applies).



Plate sizes shown as a guide only and may vary.

BOTTOM SLAT

Extruded aluminium bottom slat with rubber weather seal.

GUIDE CHANNELS

Extruded aluminium with brush inserts. Width of 70mm, 90mm or 150mm.

Finish: White or Brown as standard. Option to powder coat any RAL / BS colour (surcharge applies).

OPERATION

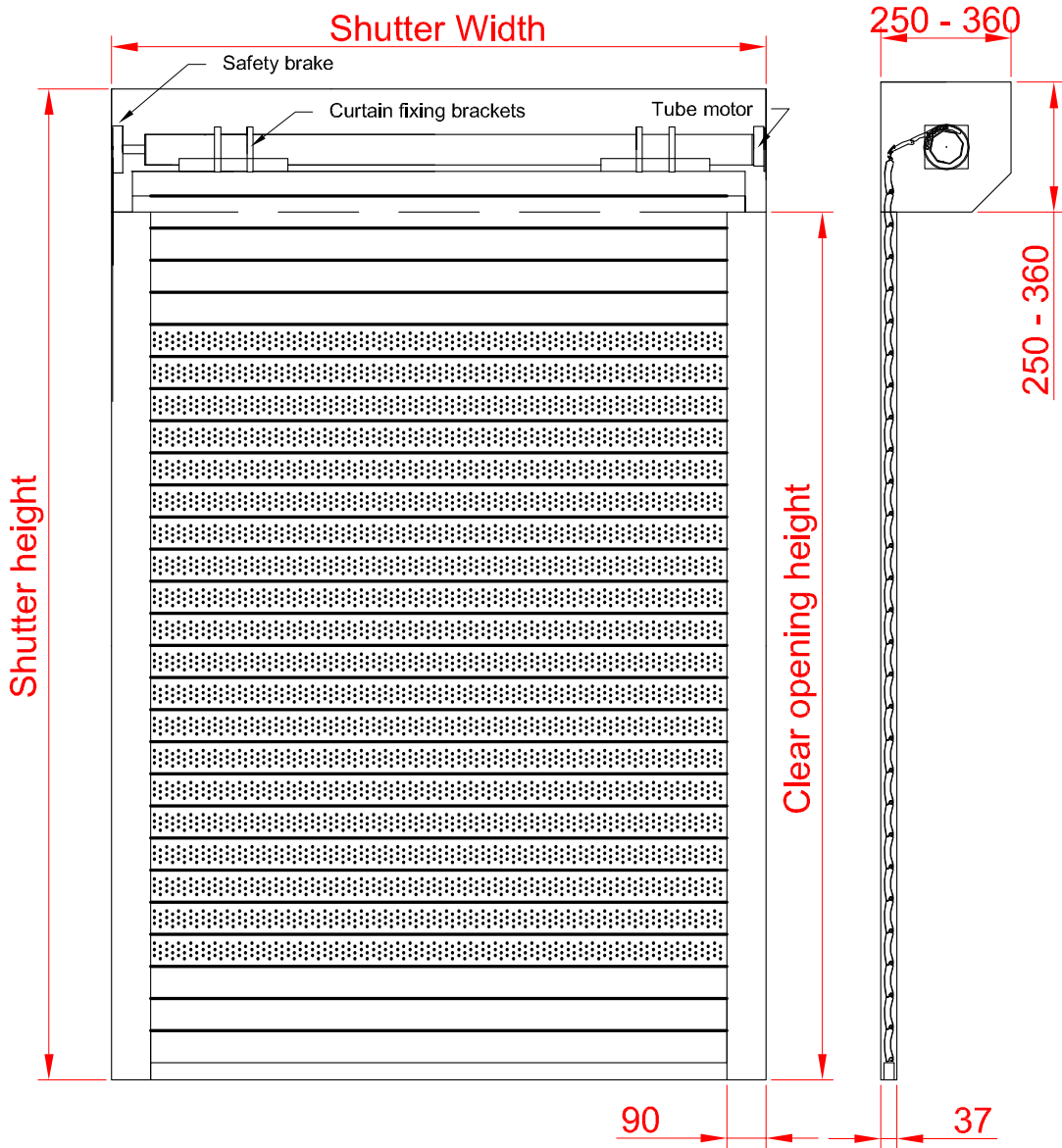
Electric: Tubular motor & internal rocker or external key switch as standard. Safety brake as appropriate to comply with legislation. Manual override facility & crank handle as required (surcharge applies). Numerous control option variants such as group, remote or mobile phone activation.

Note: Manual operation is available but not common for the V77 as the shutter tends to be used to cover larger openings.

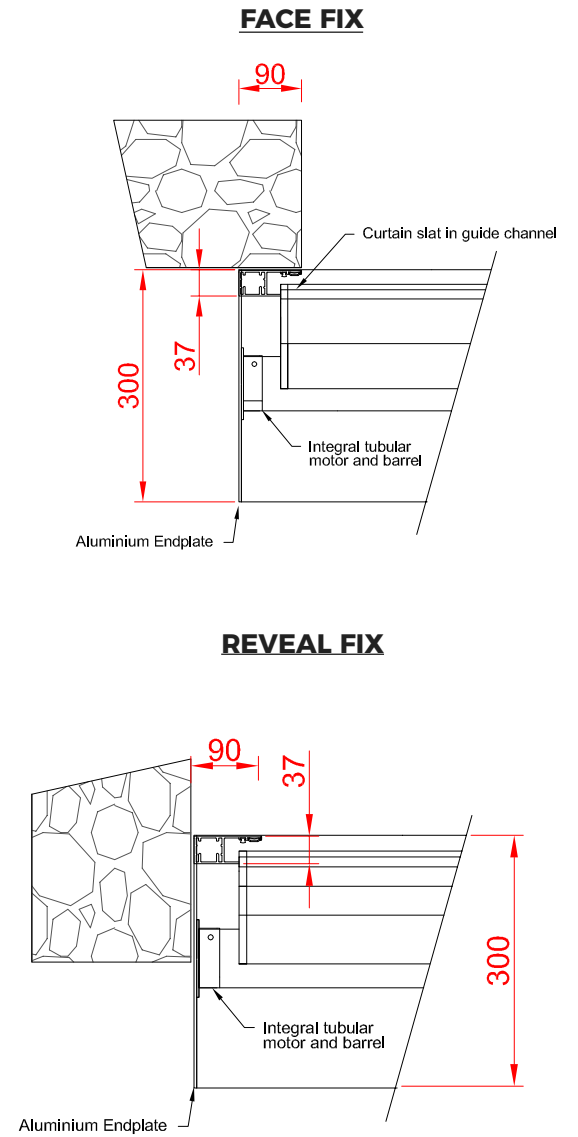
CE compliant to all applicable directives and standards.

Guide Height (mm)	Plate Size (mm)
1650	250
2600	300
4640	360

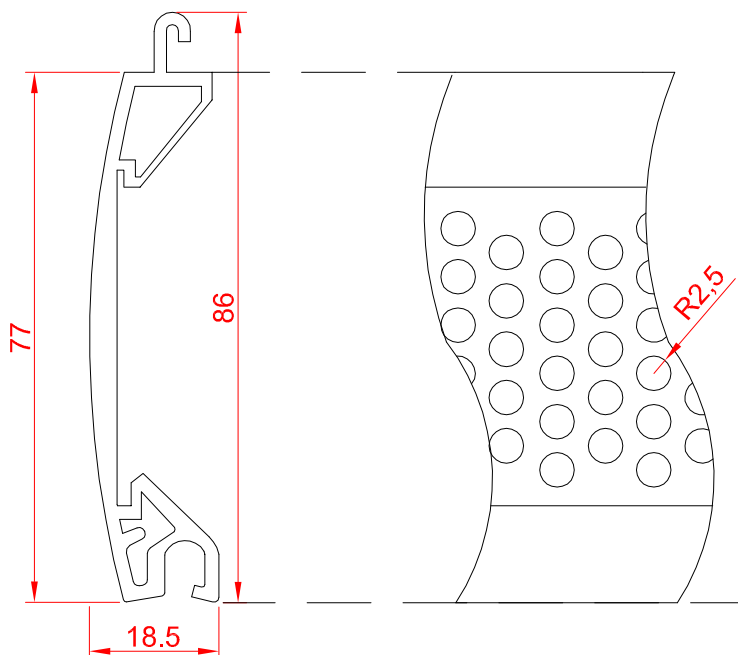
FRONT FACE



FIXING DETAIL



SLAT PROFILE



GUIDE CHANNELS

