



Classic X1 & S1 retractable security grilles are popular in high security domestic and commercial applications. Independently tested by the LPCB to LPS 1175 Security Rating SR1, these grilles are insurance approved and also 'Secured By Design', a police preferred specification.



Applications

The Classic X1 and S1 provide a police approved level of security for homes and commercial properties. A tight cross link pattern provides strength, and as a result they are more robust than the Diamond grille.

Standard Features

- Traditional X shape or curved S shape lattice with discreet stacks
- Top or bottom rolling
- High security locking system
- Anti-jemmy security strip
- High standard of quality, meeting ISO 9001:2008 requirements
- White RAL 9016 colour finish

Options

- Single or double grid design
- Hinged & lift out bottom track for doorways
- Swivel return stack
- Alternative RAL colours

Security Accreditation

- Insurance approved to LPS 1175 SR1
- Secured By Design, police approved

Quality

Maintenance free, with no visible rivets. A good deterrent against opportunistic crime.

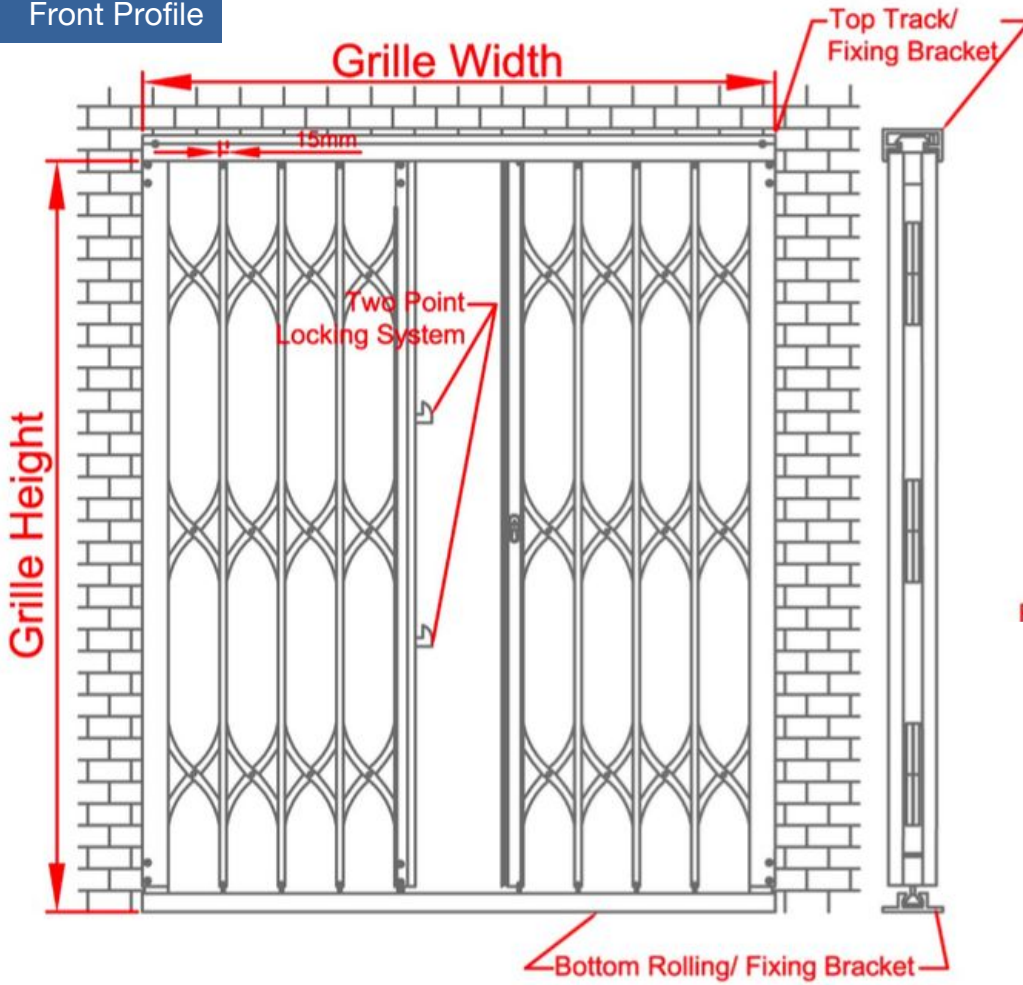
CLASSIC X1/S1

CLASSIC X1/S1:: TECHNICAL DATASHEET

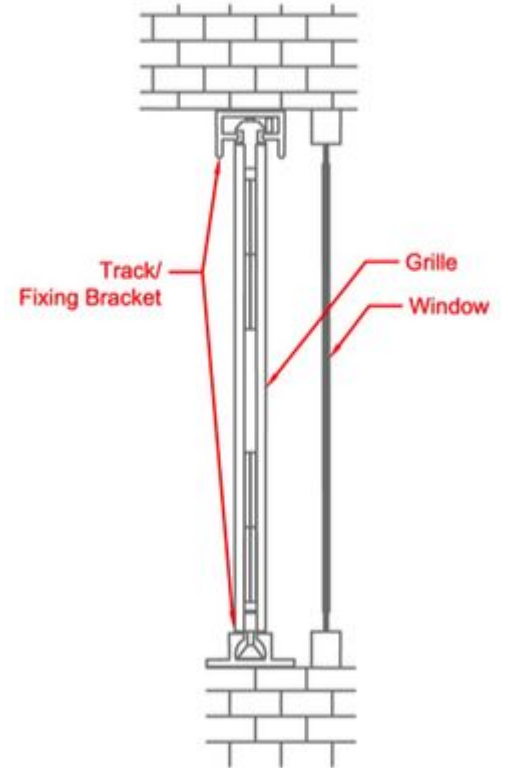
ROCHÉ



Front Profile

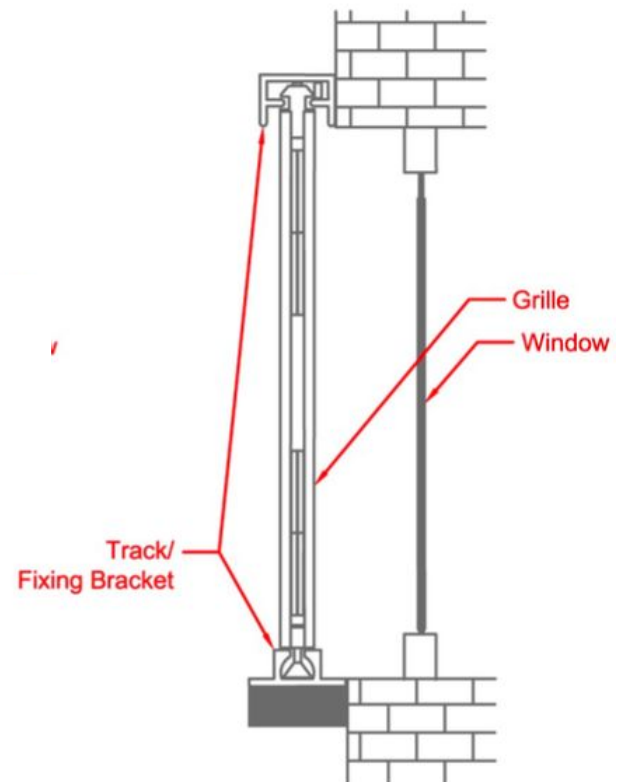


Reveal Fix



Fit

Face Fix



Grille Pattern

